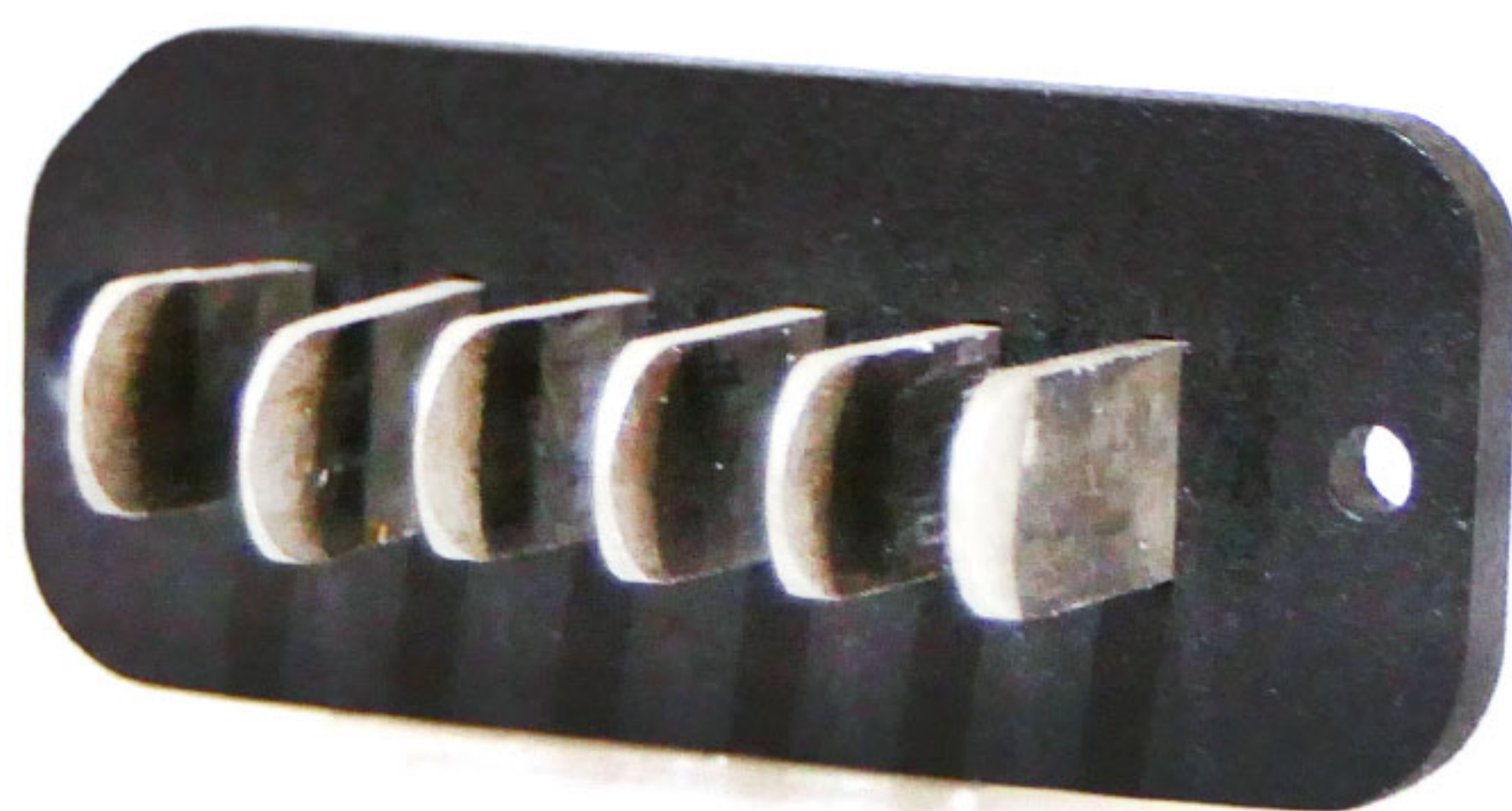
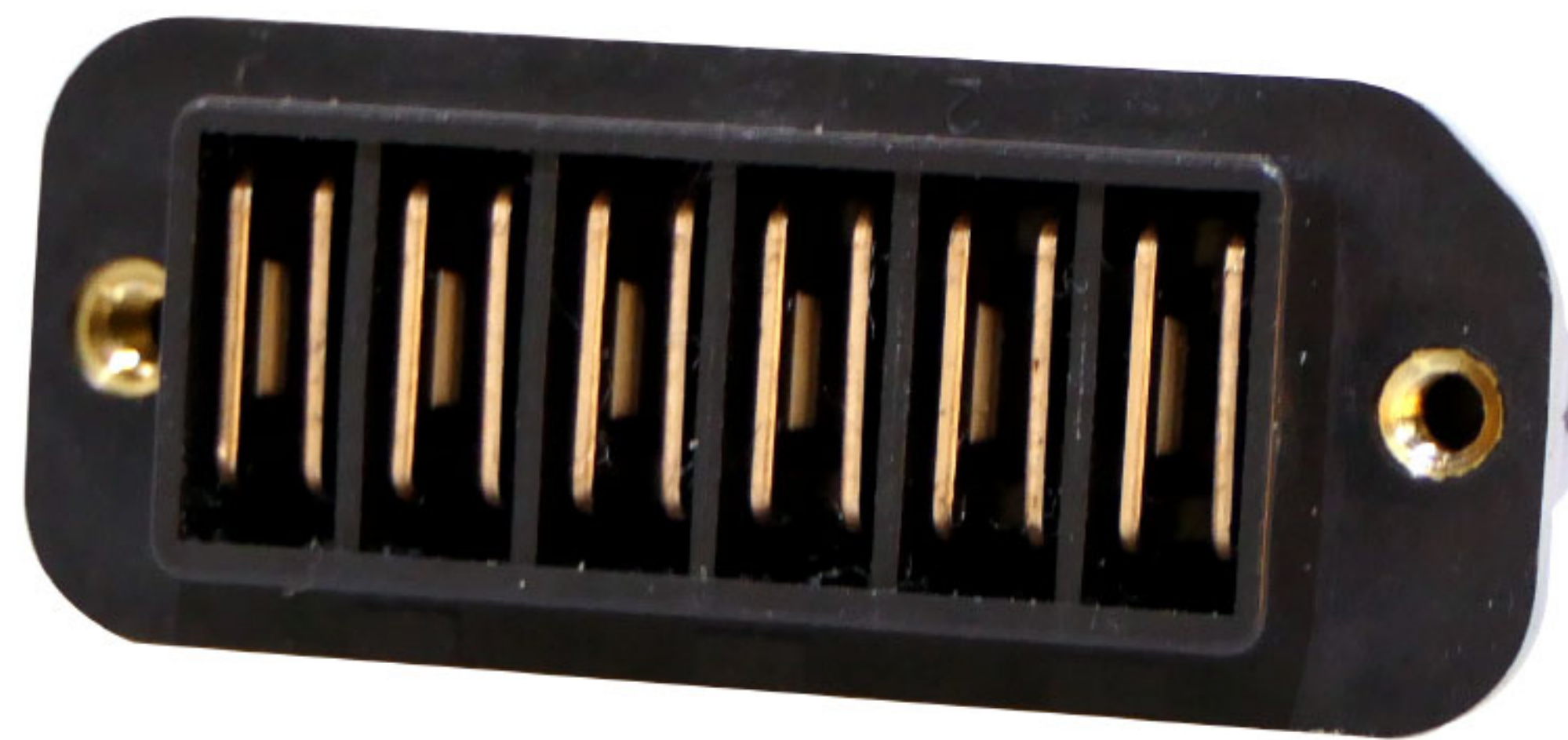


A10 Waterproof connector

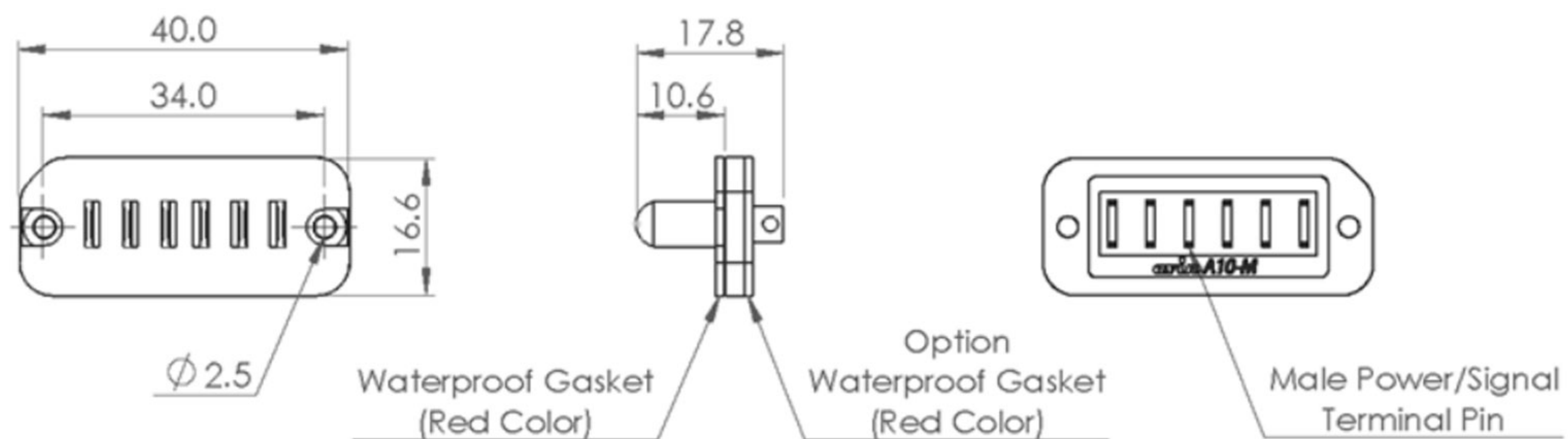


Applications:

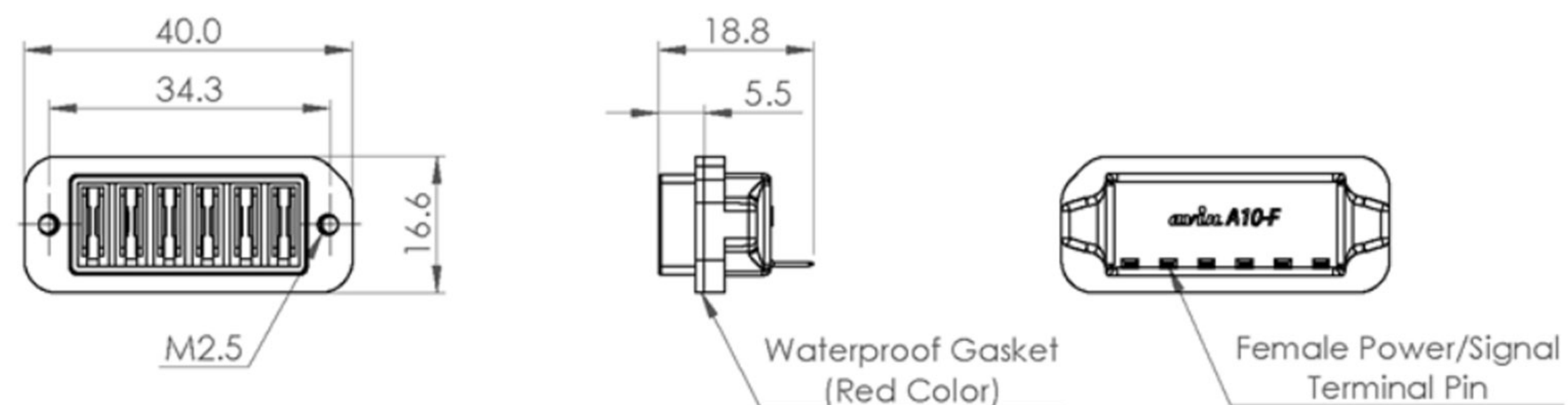
- E-Bike
- E-Scooter
- Drone
- Vacuum Cleaner
- Energy storage battery
- electric lawn mower
- AGV



Male Connector



Female Connector



Features

Terminal	6 PWR. pin & 6 SIG. pin
	PWR.Terminal 25A
Current withstand	(Instantaneous peak current 30A)
	Signal terminal 30A
IP rating	IP66
Material of housing	PBT+GF15% UL94 V0

Wire Information

Wire Spec. for Standard Sample	
Wire Gauge	
Power Terminal	12AWG to 26AWG
Signal Terminal	12AWG to 26AWG