

# D1 Waterproof connector

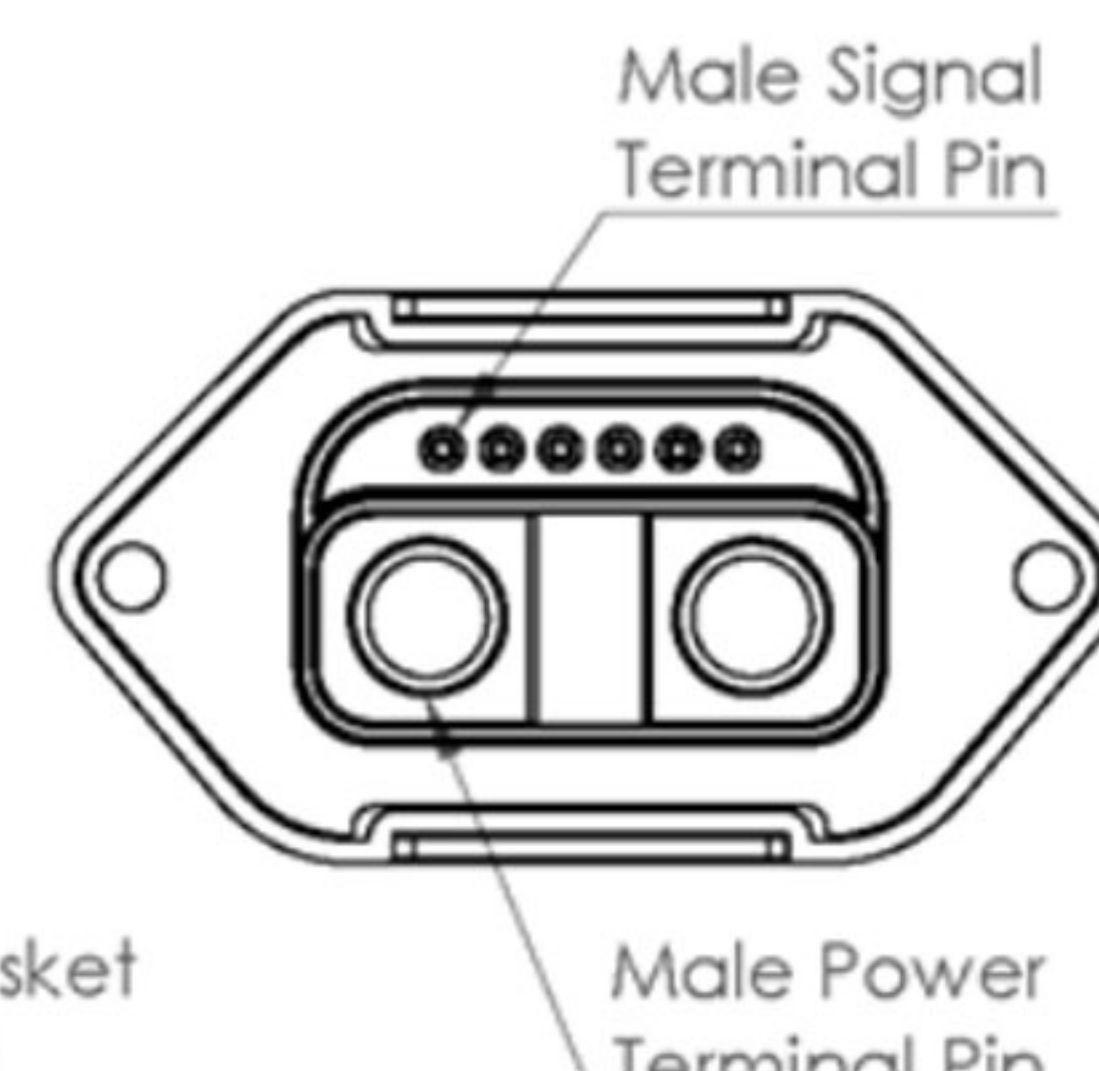
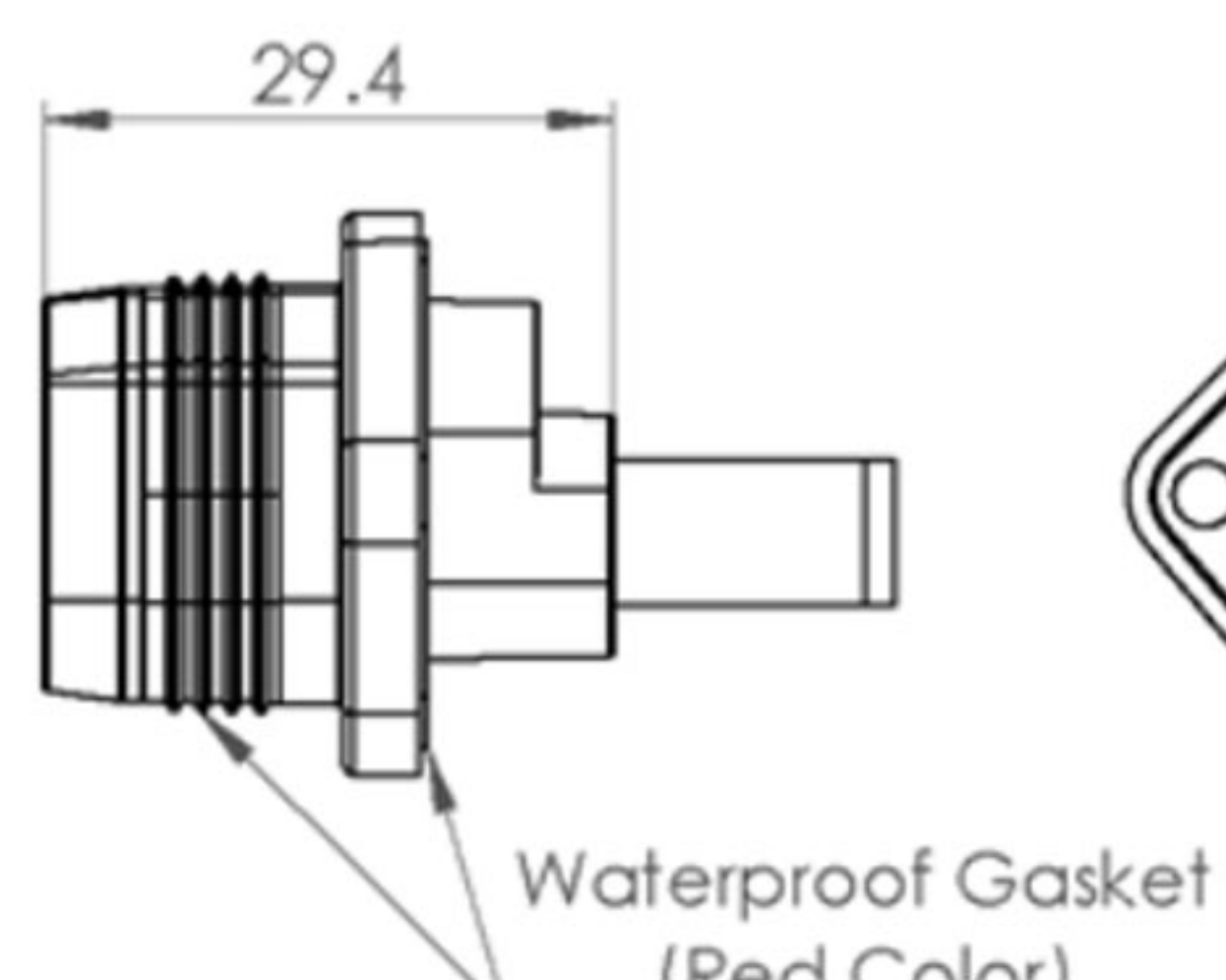
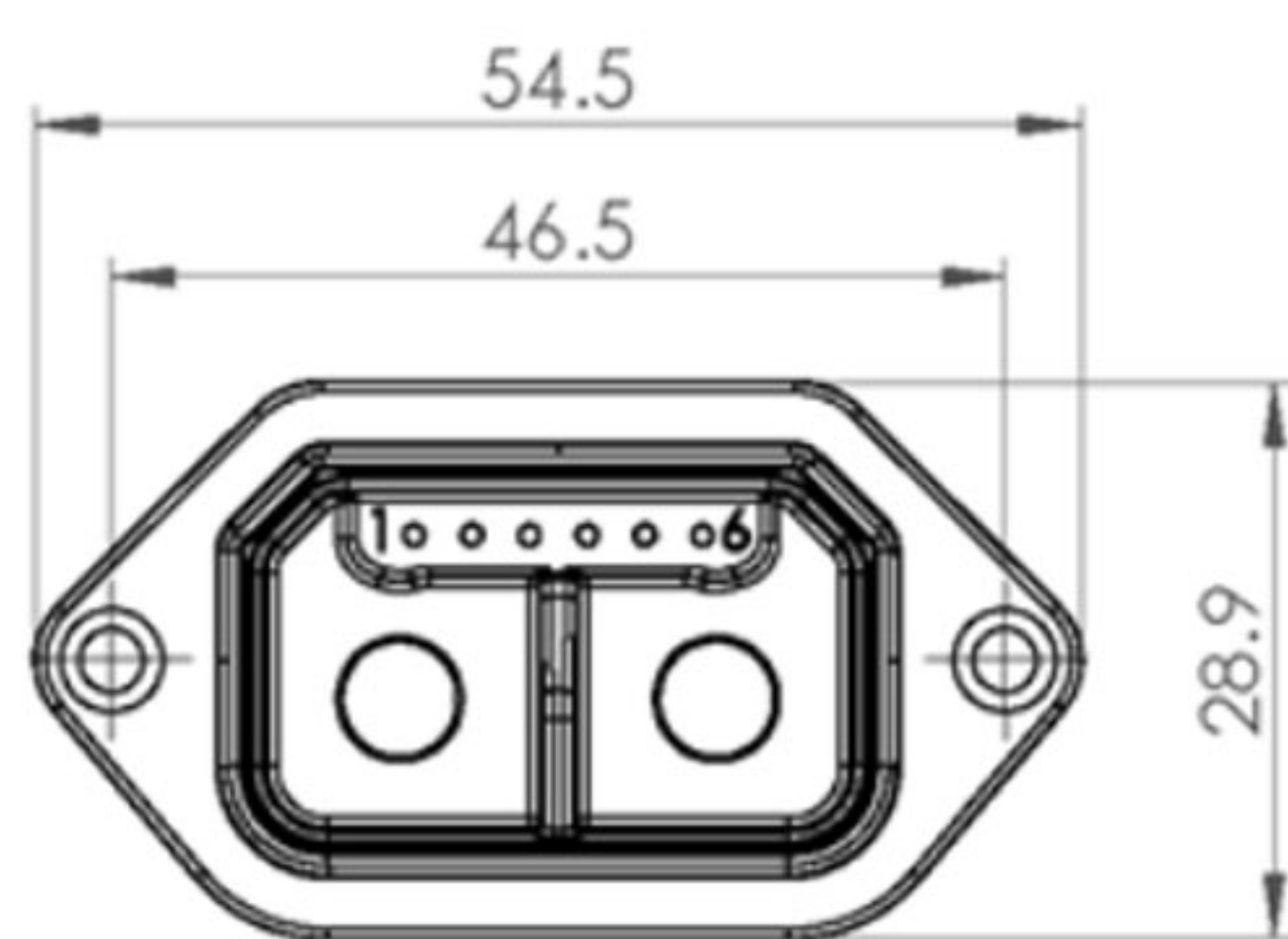


## Applications:

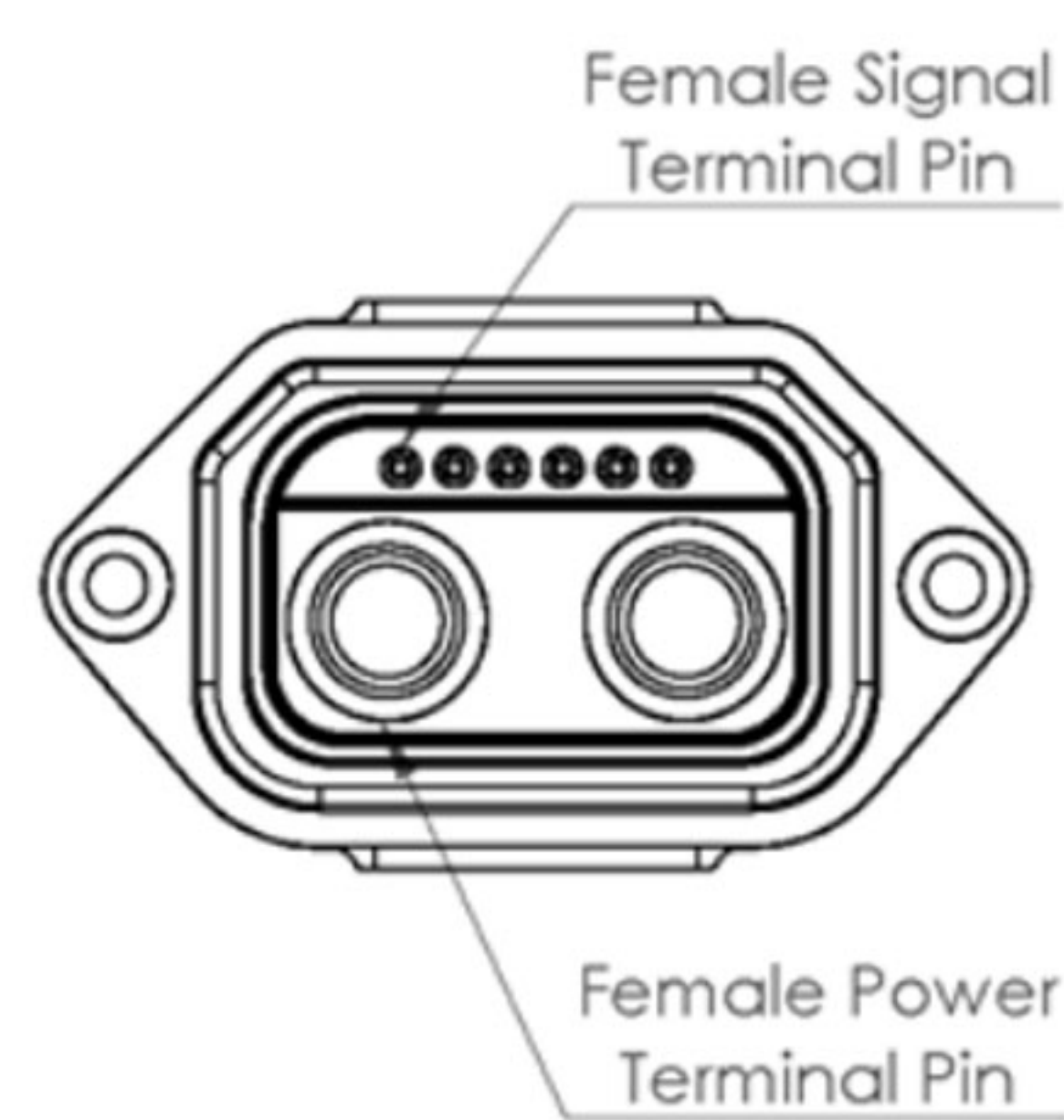
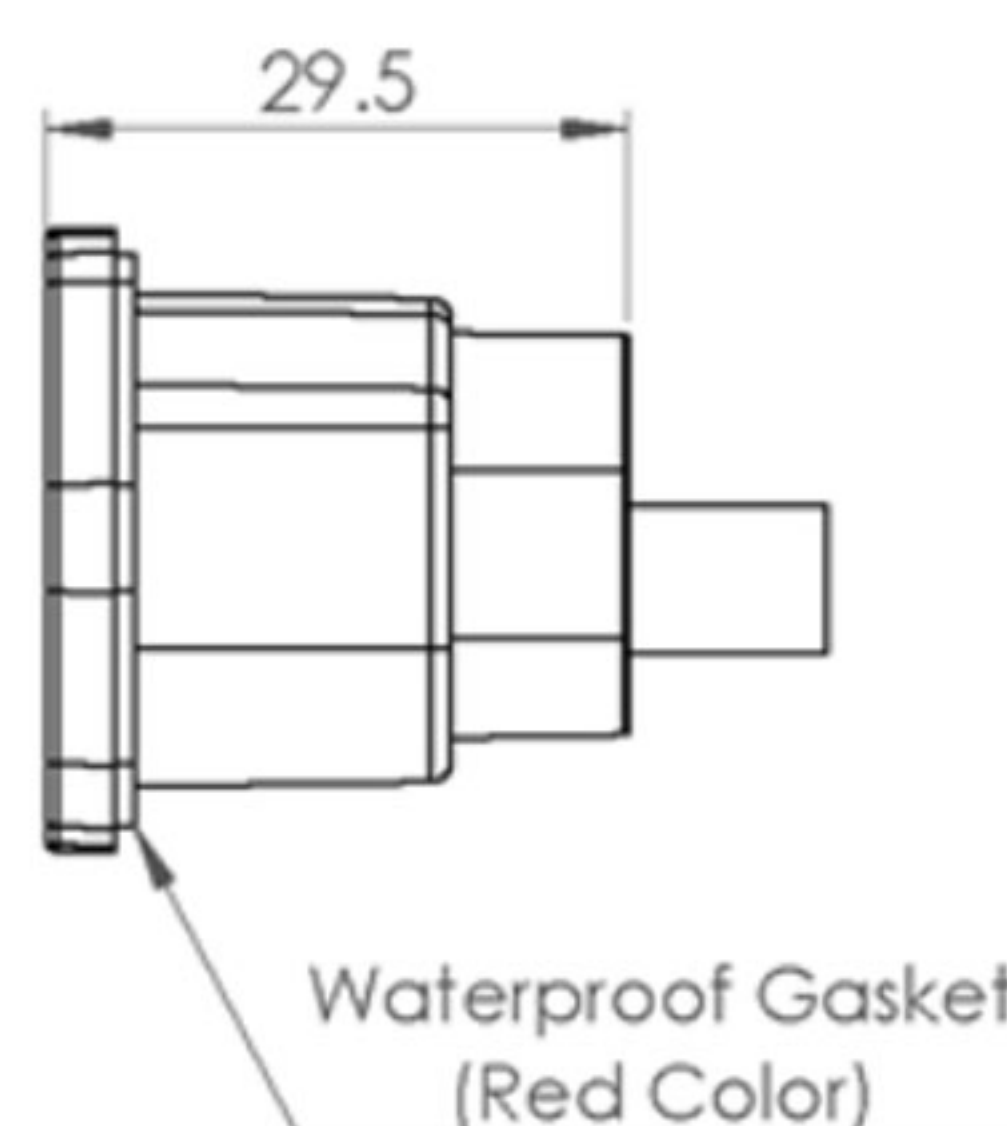
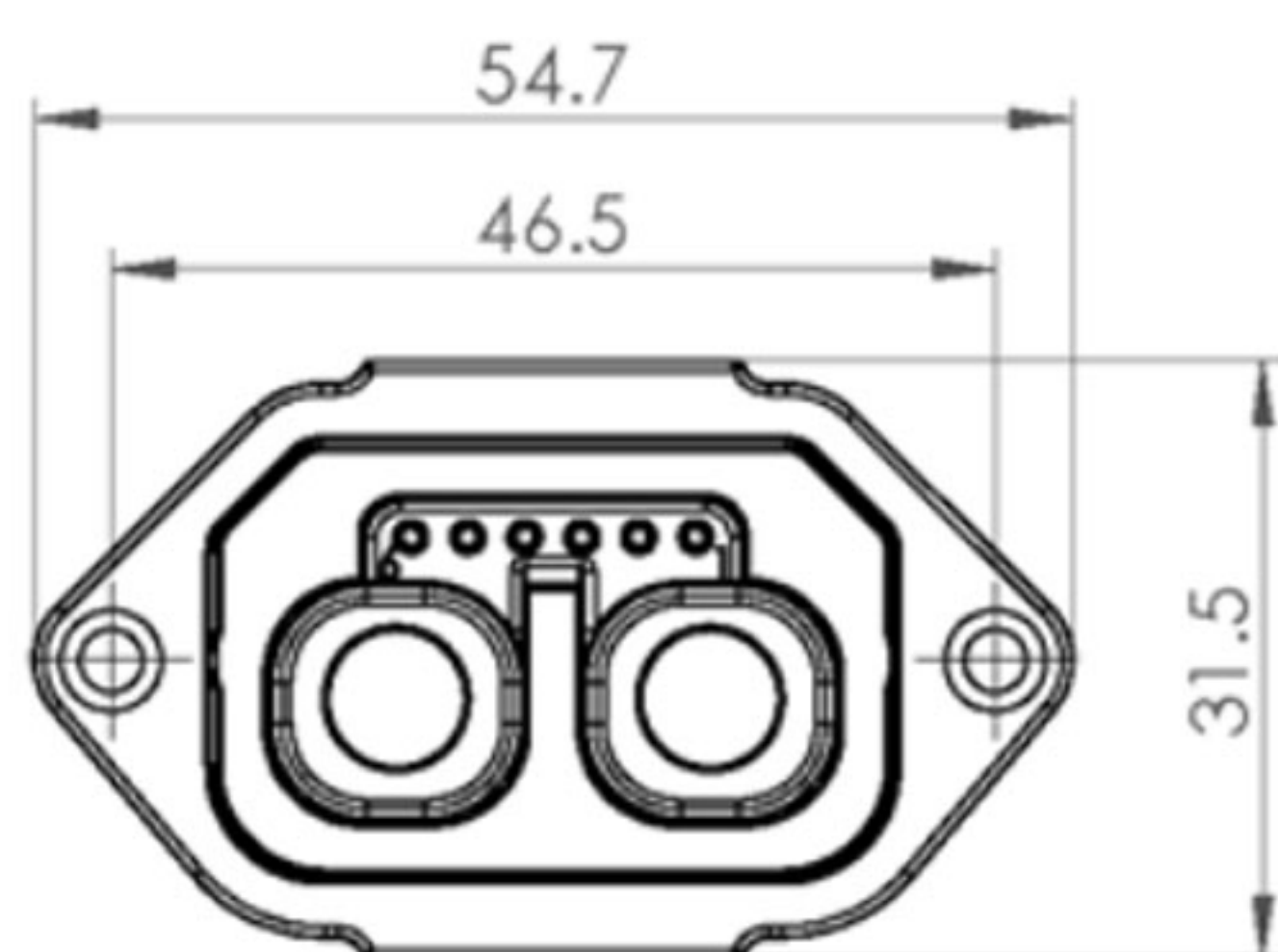
- E-Bike
- E-Scooter
- Drone
- Vacuum Cleaner
- Energy storage battery
- electric lawn mower
- AGV



Male Connector



Female Connector



### Features

Terminal	2 PWR. pin & 6 SIG. pin
	PWR. Terminal 80A
Current withstand	(Instantaneous peak current 90A)
	SIG.Terminal 2A
IP rating	IP68
Material of housing	PA66+15%GF UL94 V0

### Wire Information

Wire Spec. for Standard Sample	
Wire Gauge	
Power Terminal	6AWG
Signal Terminal	26AWG to 24AWG