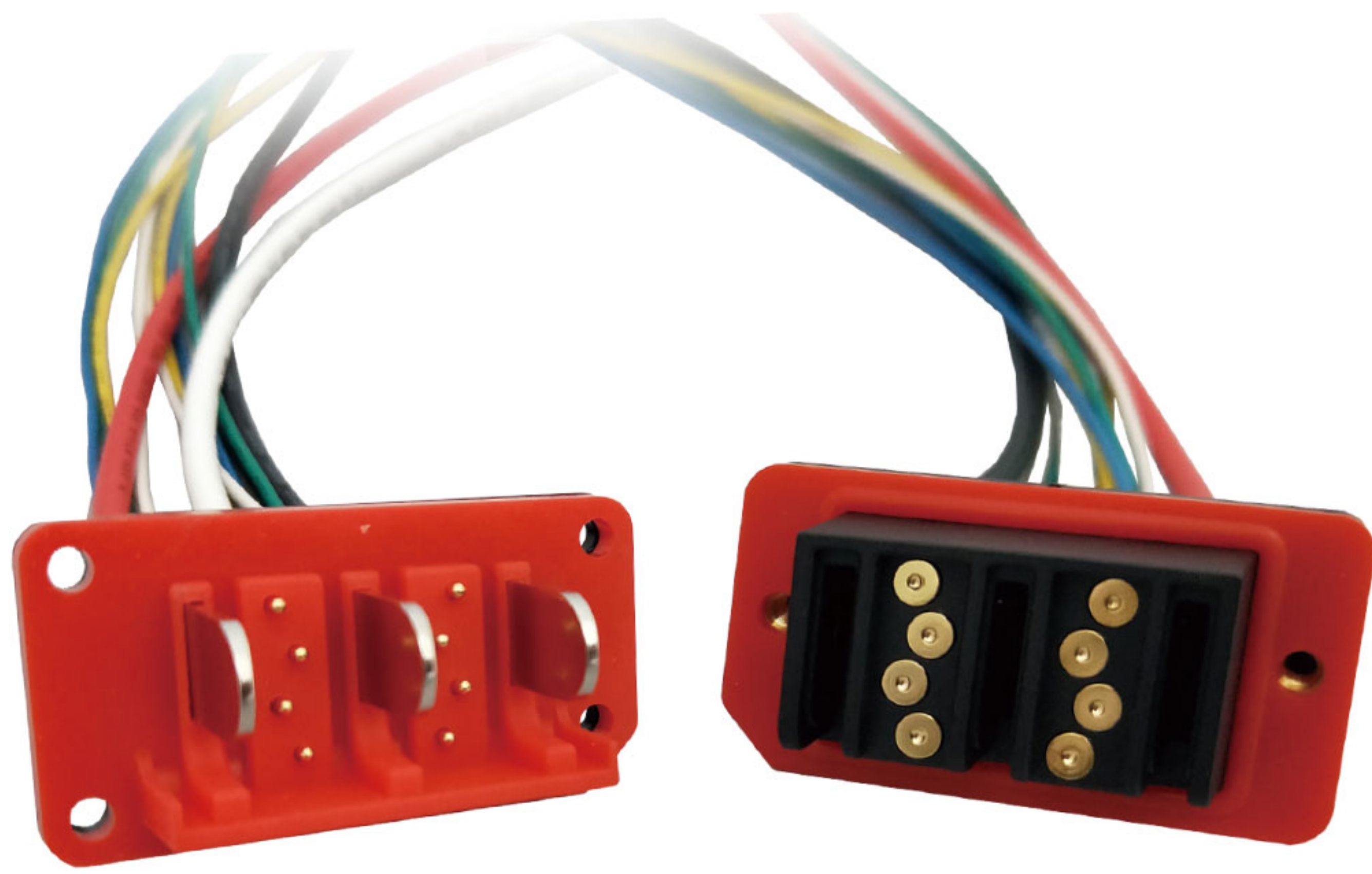


B1 Waterproof connector

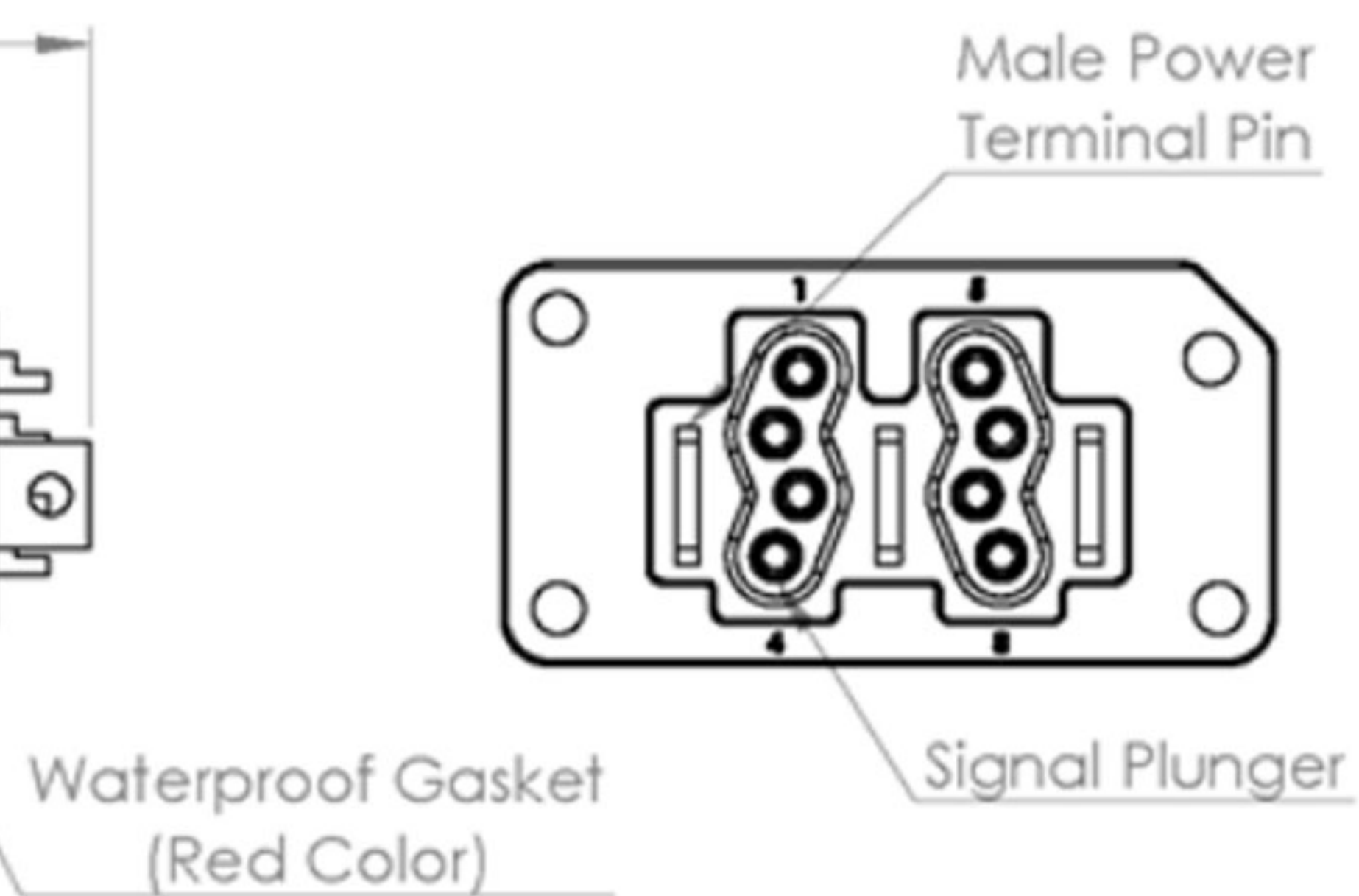
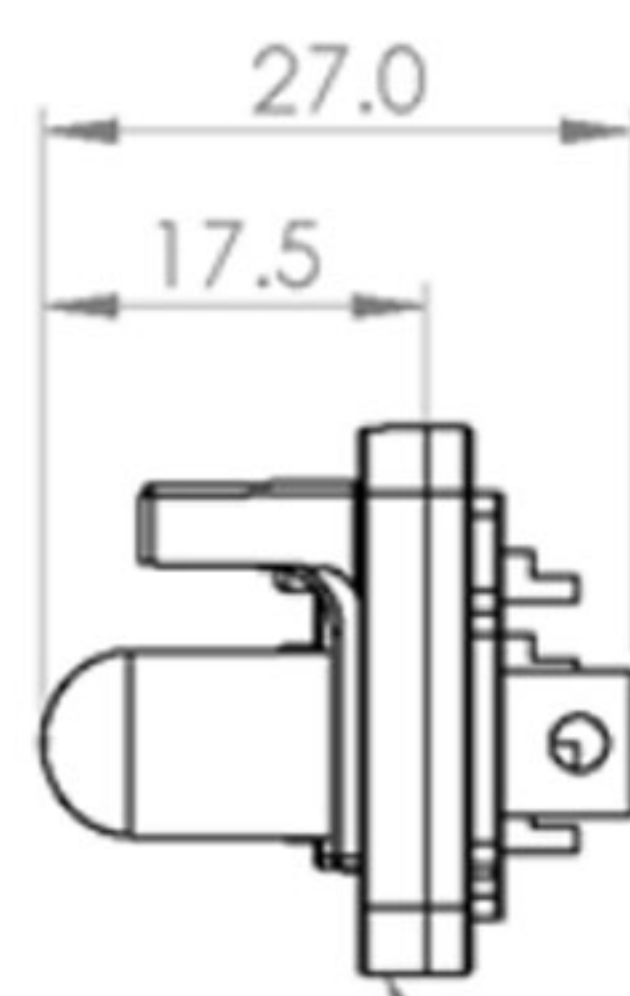
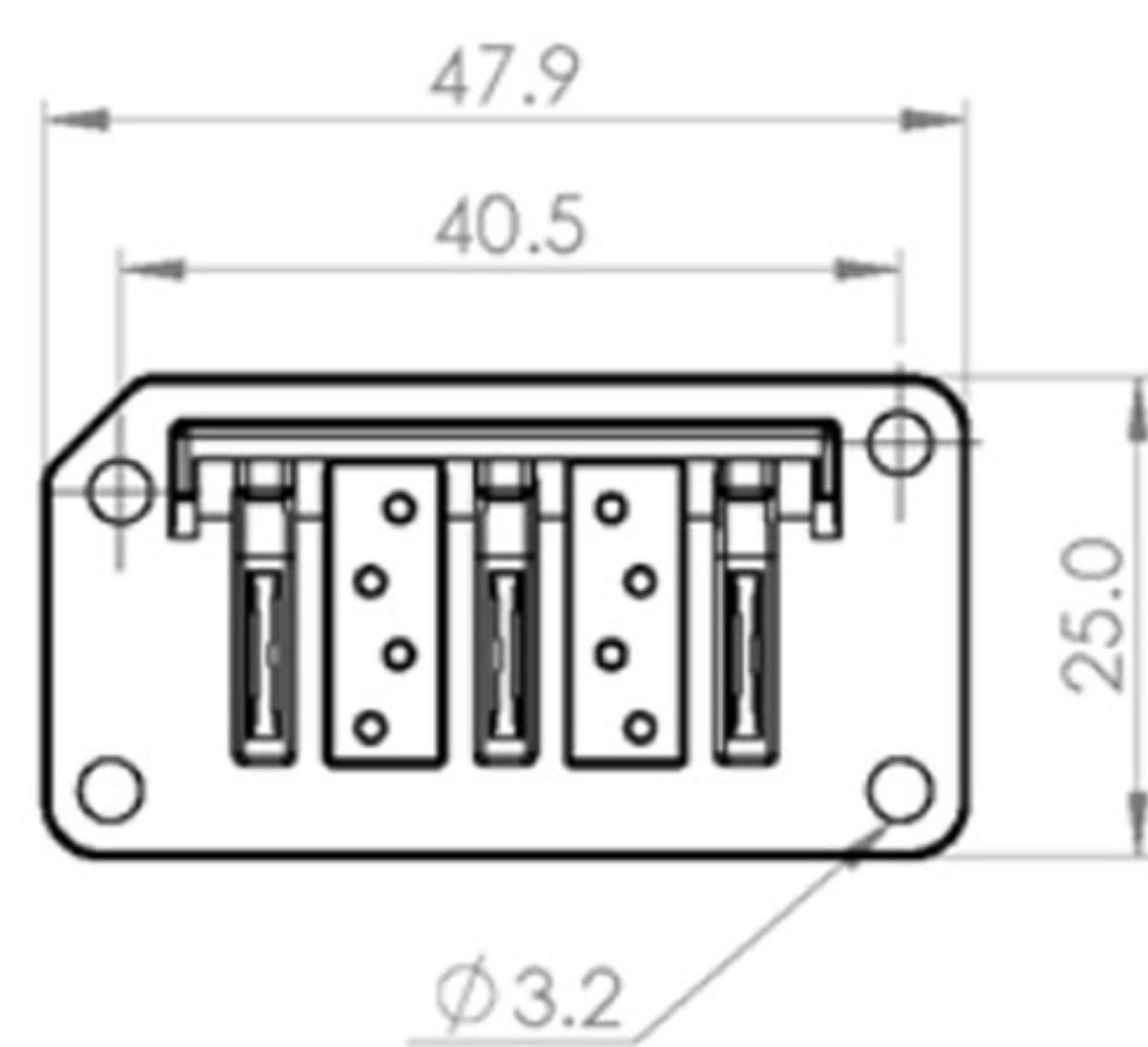


Applications:

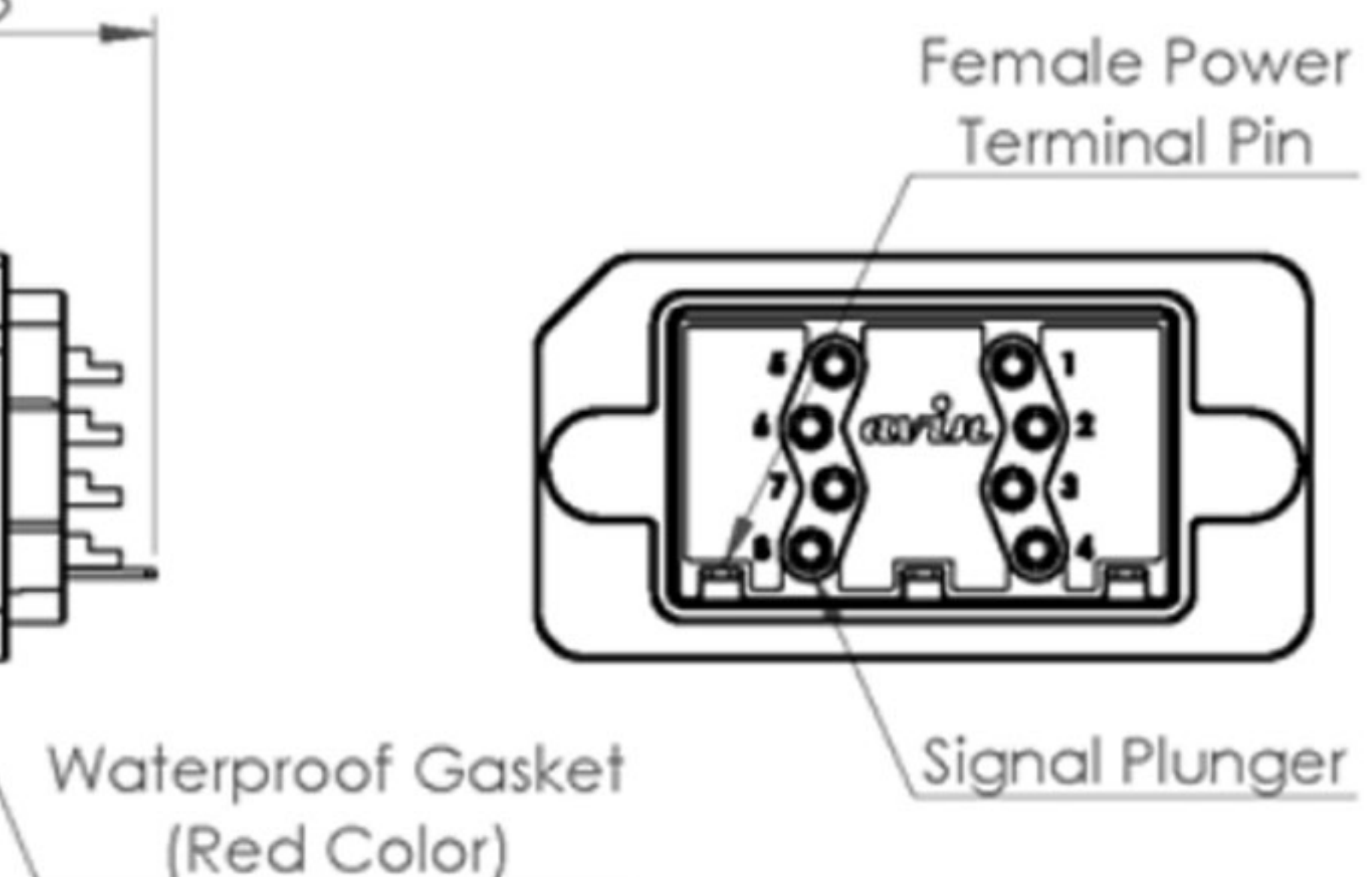
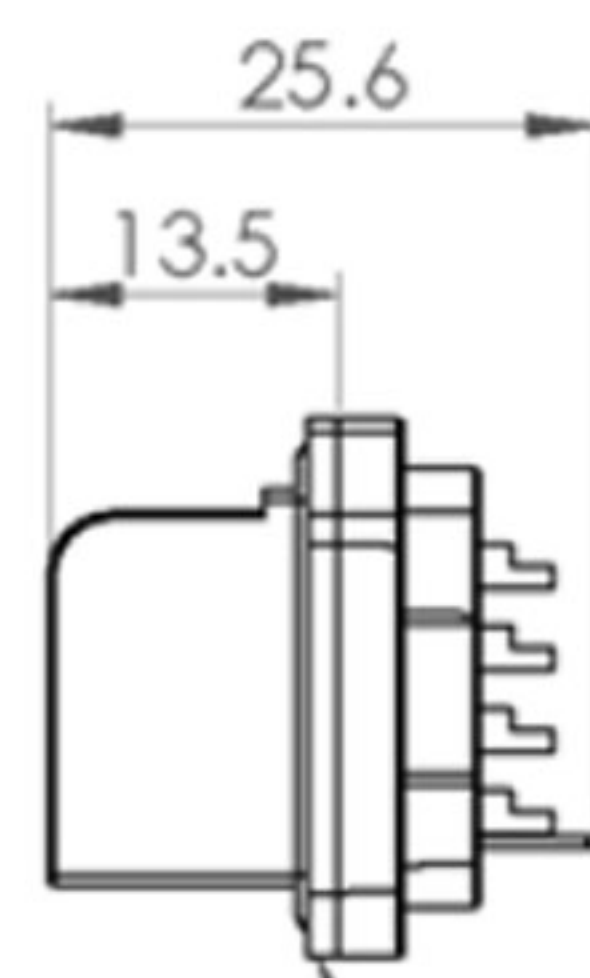
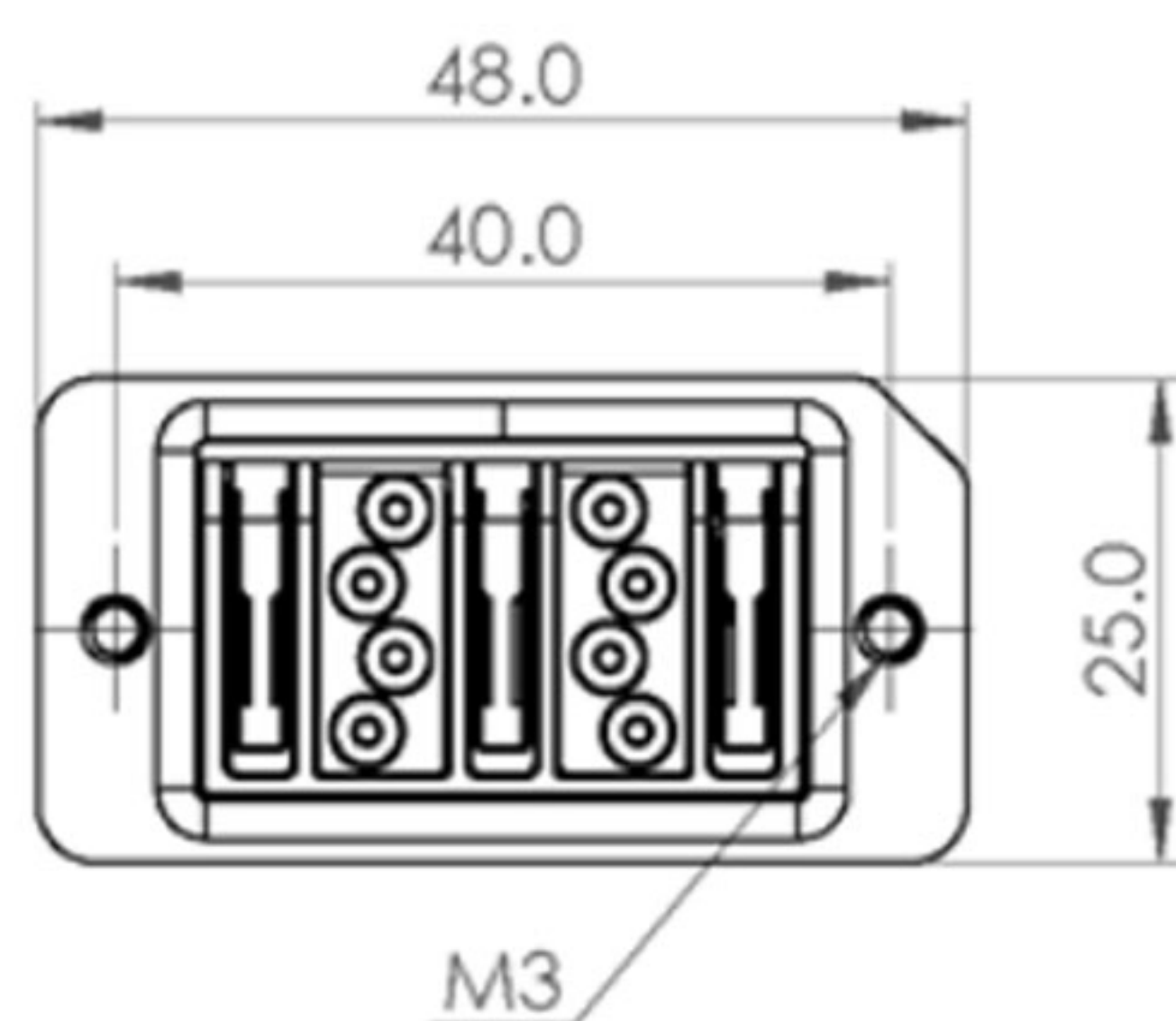
- E-Bike
- E-Scooter
- Drone
- Vacuum Cleaner
- Energy storage battery
- electric lawn mower
- AGV



Male Connector



Female Connector



B1 Waterproof connector

Features

| | |
|---------------------|---------------------------------------|
| Terminal | 3 PWR. pin & 8 SIG. pin |
| | PWR. Terminal 25A |
| Current withstand | (Instantaneous peak current 30A) |
| | SIG.Terminal2A(Custization available) |
| IP rating | IP66 |
| Material of housing | PBT+GF15% UL94 V0 |

Wire Information

| | |
|--------------------------------|----------------|
| Wire Spec. for Standard Sample | |
| Wire Gauge | |
| Power Terminal | 16AWG to 12AWG |
| Signal Terminal | 24AWG to 22AWG |